

*Trimec reserves the right to update technical data without notice
VRP - 24.2.05*

Electrical

243 mA at 12 Volt DC – 187mA at 24 Volt DC
Solenoids are rated for continuous use.

Monitoring

None

Mechanical

Compliant with AS 4145.2 and UL 1034 Approved
Cycle tested to 1,000,000 operations
Suitable for 18 mm latch tongue with 3 mm door gap

Warranty

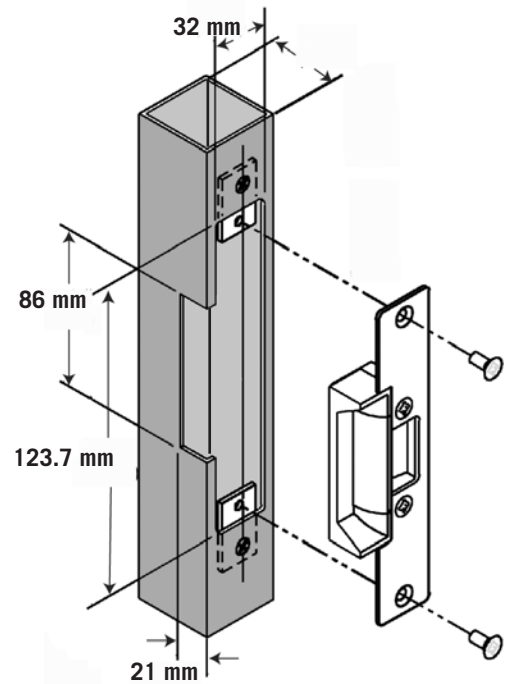
Protected by **TRIGARE** 5 year warranty

Environmental

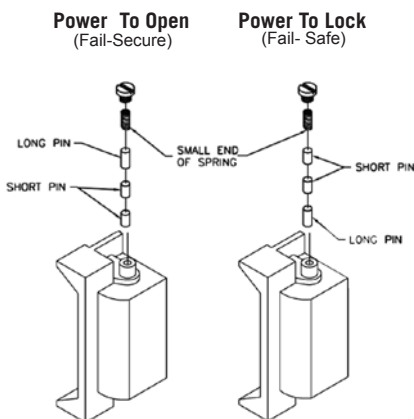
Operational temperature range -20C to + 60C
Weather resistant construction available.
(IP56).

Shipping

Product weight = 162 gms
Product weight with box = 195 gms
Shipping size of box = 205 x 48 x 38 mm



Patented Innovation - as easy as this

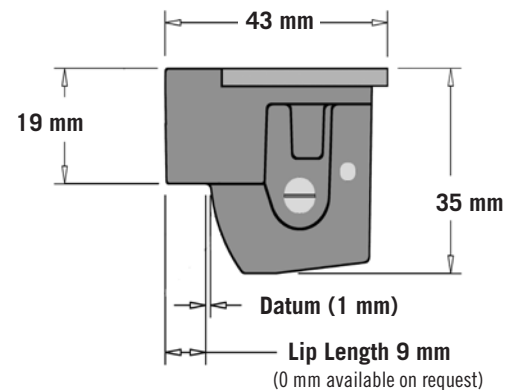


Power To Open:

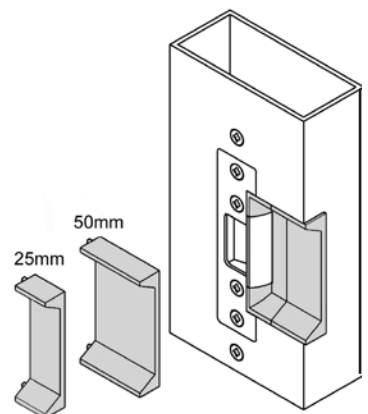
When power is supplied to the strike, the unit is unlocked. If power fails, the strike is locked and the door is secured.

Power To Lock:

When power is supplied to the strike, the unit is locked. If power fails, the strike is unlocked, and the door is safe (unlocked) for exit.



Extension Lips



Specification Statement

The electric strike should be of a type which is unaffected by vibration and offer a minimum 5 years warranty. Where "Power to Lock" and "Power to Open" functions may be required in the same installation, the electric strike should be interchangeable from either "Power to Lock" or "Power to Open" at site. The strike should not consume current greater than 243 mA at 12 Volt or 187 mA at 24 Volt and have a solenoid suitable for continuous use. The face-plate of the electric strike should have an architectural finish of brushed anodised aluminum or brushed stainless steel.

Distributed By:

ES110

NON-MONITORED

The ES110 is a low cost robust electric strike with a one-piece cast aluminium body. With fewer moving parts and solid construction this is an ideal solution for the cost conscious. Having a deeper than normal throat the ES110 is designed to work with an extensive range of locks and offers the same level of security and reliability usually provided by more expensive electric locking solutions.



- **Power to Lock / Power to Open**
Changeable on-site
- **Stainless Steel Striker**
Extra strength for latch
- **Extra Security**
3 hardened locking pins
- **Continuously Rated Solenoid**
Solenoid can be continuously powered
- **Choice Of Face Plates**
Brushed anodised aluminum or brushed stainless steel
- **Weather Resistant Option Available (IP56)**
- **Suitable For 18mm Latches**
Based on 3mm door gap



ANSI
face plate

Large face plate