

Electrical Specification

Supply Voltage 12-30 VDC Ground (0V)
 12VDC - 250 mA after 1 sec. (initial current 830 mA)
 24VDC - 140 mA after 1 sec. (initial current 530 mA)

Monitoring

Door Locked (solenoid)
 Door Closed (latch)

Warranty

Covered by Trimec's 5 year **TRIGARE™** warranty.

Certification

CE compliant
 up to 4-hours fire rating, depending on type of doorset
 (in accordance with AS1905.1 - 1997, Part 1: Fire-resistant Doorsets)

Performance

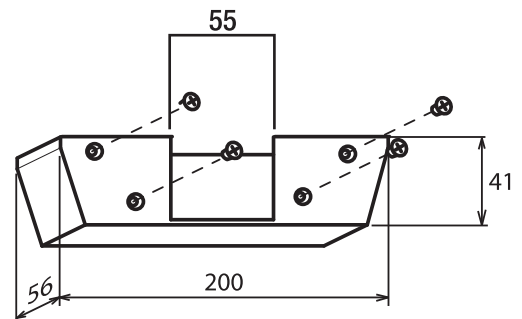
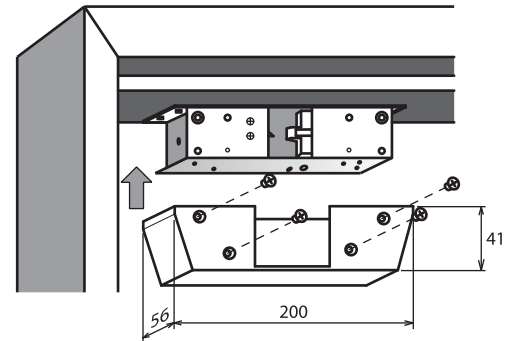
Tested and conforms to the relevant requirements of AS4145.2, levels D3 and S3
 Standard UL 1034 Tested for:
 1,500 lbs. (680 kg) static strength rating
 70 foot-lbs. dynamic strength rating
 250,000 cycles endurance rating

At the request of ASSA ABLOY Australia, this model was tested to the following VOLUNTARY ratings:
 - 2,000,000 cycles of operation
 - 660 lbs. (300 kg) pre-load capability

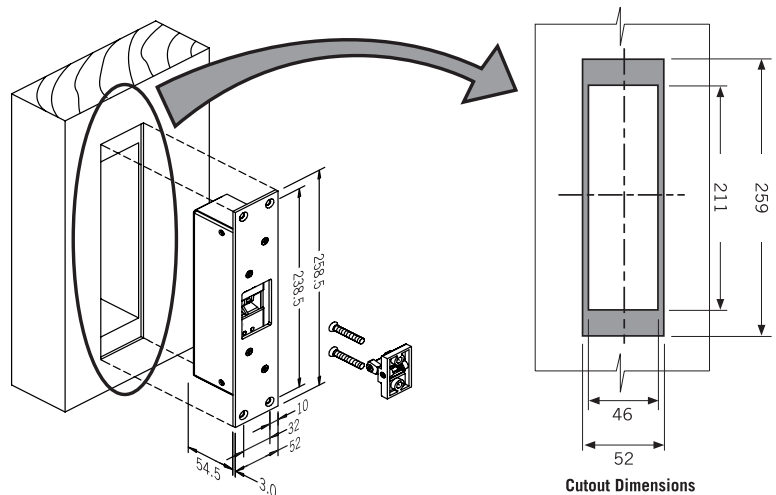
Versions Available

ES6001 Power to Lock (fail safe)
 ES6002 Power to Open (fail secure)
 Surface mount version with coloured aluminium cover
 Mortise mount version with stainless steel face plate

ES6000 Mortise Mount Version



ES6000 Mortise Mount Version for Sliding Doors



Distributed by:

Trimec Technology Pty Ltd reserves the right to update technical data without notice. ACN 050 103 896 © 2007

