

ES260/2600 ELECTRIC STRIKE

INSTALLATION OPERATING AND MAINTENANCE INSTRUCTIONS

IMPORTANT NOTE – Ensure that any rebate strips or door stops are fitted before proceeding.

DOOR LATCH POSITION

- 1) To enable the ES260/2600 ELECTRIC STRIKE to be mounted on the door frame. Generally use the strike plate details supplied with the panic bar if available.

FITTING THE ES260/2600 ELECTRIC STRIKE

- 2) Profile the door jamb using the dimensions on this page or the actual body of the strike as the template.
- 3) Position the strike and drill the two fixing holes. A set of fixing screws are supplied for fixing this product in a metal jamb.
- 4) Ensure that all wiring is correctly connected and mechanically free.
- 5) Install the strike temporarily in position and check that there is no mechanical interference between the door and strike face plate during door closing.
- 6) Check that there is no pressure on the keeper of the strike when the door is closed. Adjust location of strike if necessary to give approx. 1mm space between roller and latch tongue.
- 7) When all the above checks are complete, secure the strike with appropriate screws and re-check operation.

NOTE – The deadlatching trigger of the panic bar must not enter the strike "keeper area" during closing operation.

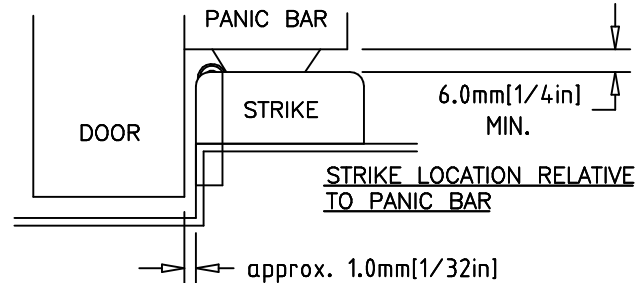
ELECTRICAL REQUIREMENTS.

COIL LEAD COLOUR	VOLTAGE	CURRENT
Red coil Leads	12 Volts DC	175mA
Blue coil Leads	24 Volts DC	88mA

WARNING – CONNECTION OF INCORRECT VOLTAGE MAY CAUSE DAMAGE NOT COVERED BY WARRANTY.

IMPORTANT NOTE – Check with a suitable meter that all voltages are within +/-15% of required voltage and that this tolerance is maintained during operation under all circumstances.

WARRANTY - ASSA ABLOY Australia Pty Ltd guarantees for 5 years in accordance with Trimec's Standard Warranty Conditions, against defects in manufacture workmanship or materials provided that all electrical and mechanical installation requirements are adhered to as per this datasheet. All third party and consequential claims are expressly excluded from this warranty.



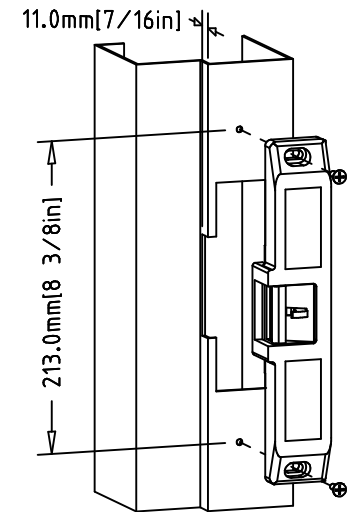
POWER TO LOCK (PTL) TO POWER TO OPEN (PTO) CONVERSION

First remove the two screws that secure the outer casting to the inner strike body. Remove the back cover and then the two solenoid screws. Removing the coil will release three locking pins. Re insert the pins as shown:-



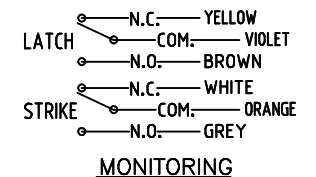
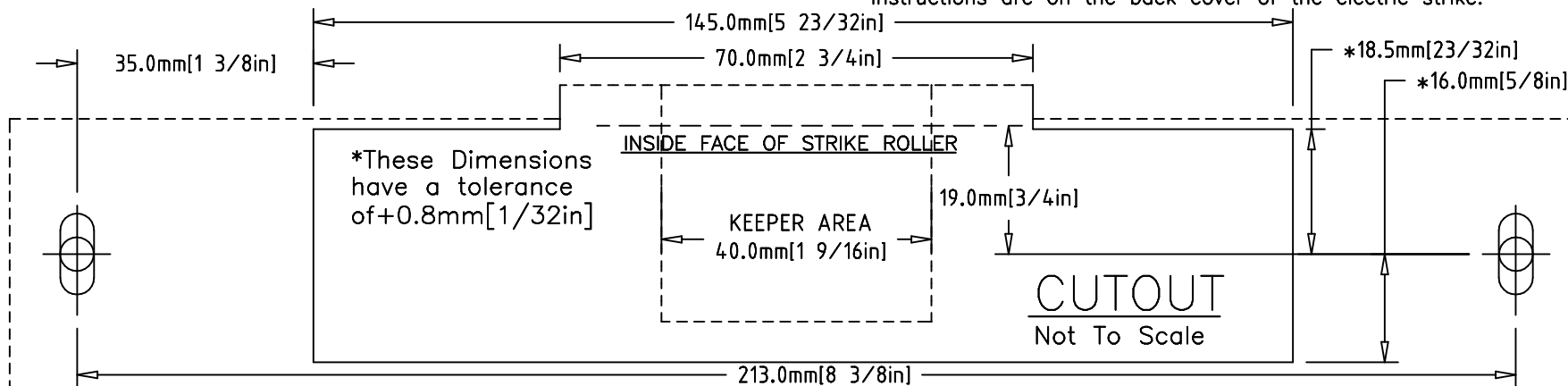
ES260/2600 ELECTRIC STRIKE MICROSWITCH MONITORING

The ES260/2600 ELECTRIC STRIKE is fitted with two 1 amp (UL: 125VAC 3amp) changeover micro switches to monitor the latch position and the strike status. Connection instructions are on the back cover of the electric strike.

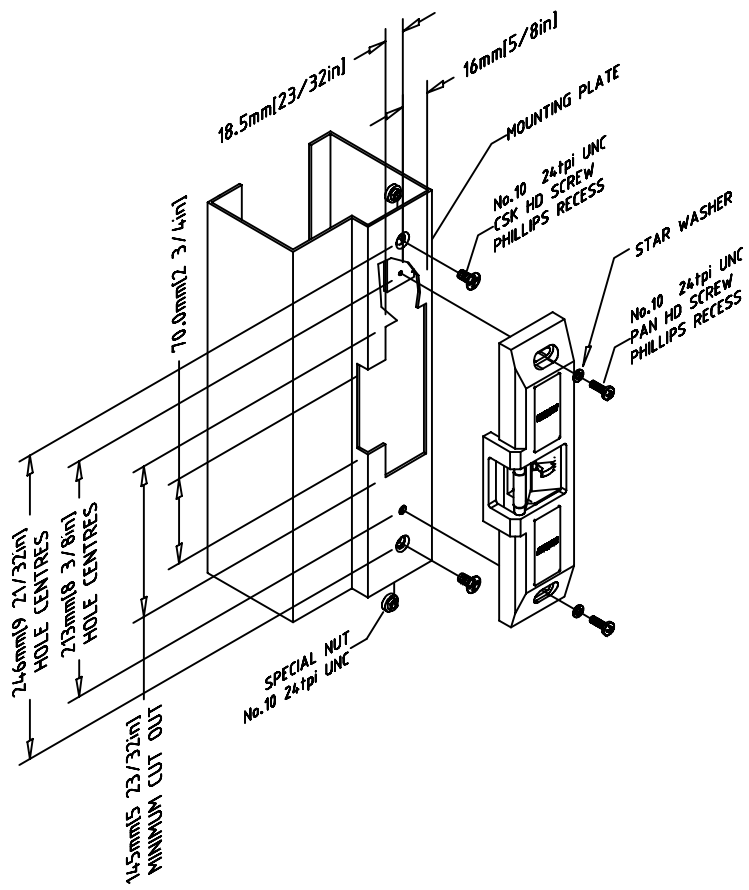


FOR UL LISTED PRODUCTS

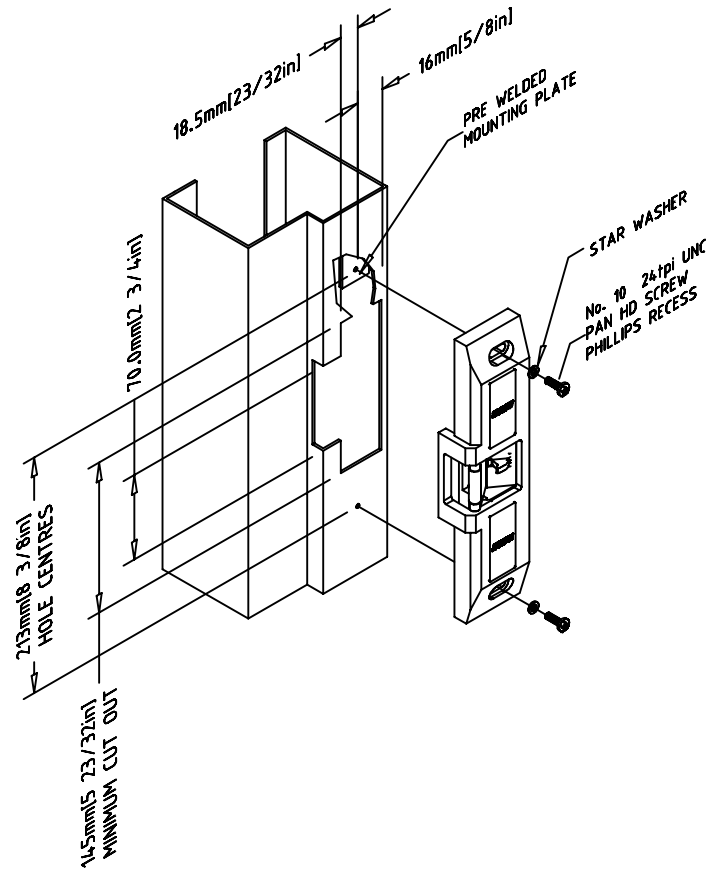
Wiring methods and materials shall be in accordance with the national electrical code, ANSI/NFPA 70-1996. Must be powered from a UL LISTED limited energy power source. Use only those mounting screws and hardware supplied with the product for installation. Do not use substitute installation fasteners or hardware.



INFORMATION IN THIS DATA SHEET MAY BE CHANGED WITHOUT NOTICE



RETROFIT MOUNTING



MOUNTING USING WELDED REINFORCING PLATE OR SIMILAR