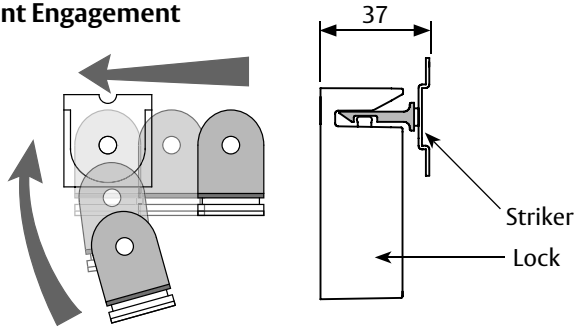


Lock can be mounted to engage from the front or side and is suitable for sliding drawers or swing cabinet doors.

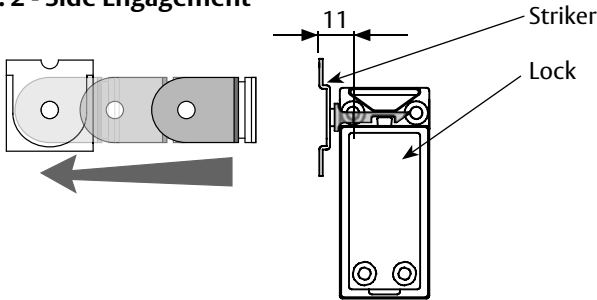
Part No. EL110 - 221 - 0219

Fig. 1 - Front Engagement



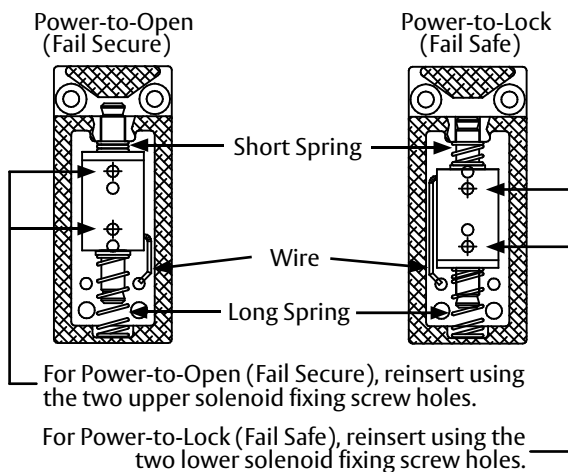
- Mount lock on inside drawer.
- Connect cables and allow sufficient space between the lock unit and cut-out for wires.
- Ensure strike plate is aligned and adjusted as shown.
- To prevent over or under-travel, set distance between back mounting face of lock and striker to 37mm.

Fig. 2 - Side Engagement



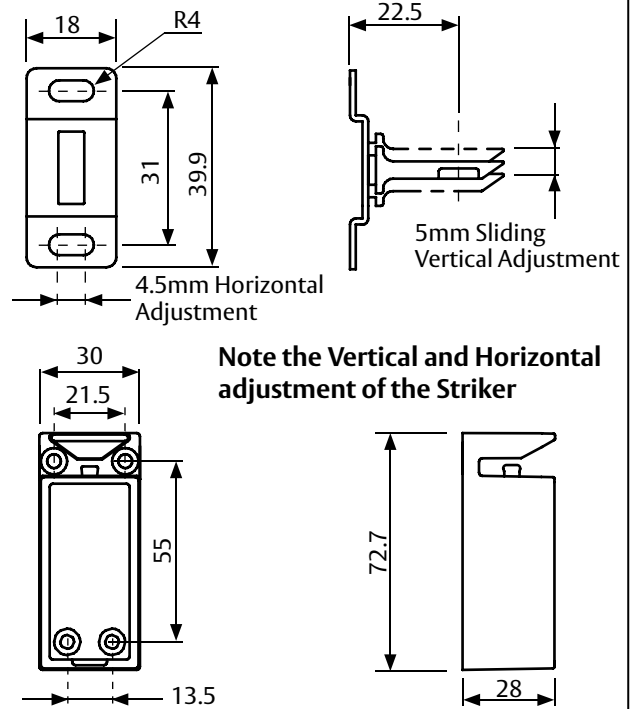
- Mount lock on inside drawer.
- Connect cables and allow sufficient space between the lock unit and cut-out for wires.
- Ensure strike plate is aligned and adjusted as shown.
- To prevent over or under-travel, set distance between back mounting face of striker and centre of nearest fixing hole of lock to 11mm.

Fig. 4 - Changing Mode of Lock Operation



- Remove the two rear solenoid fixing screws. Remove solenoid, springs and wire.
- Configure solenoid, springs and wire depending on the lock mode required, as shown above.

Fig. 3 - Lock and Strike Dimensions



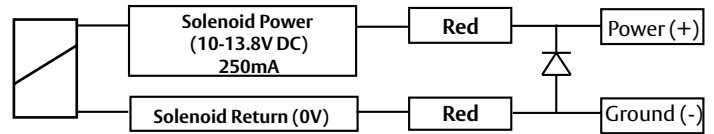
Electrical Connections

CAUTION! Incorrect supply voltage may cause damage not covered by warranty.

DO NOT OIL OR LUBRICATE.

Wiring Connections

12VDC Versions 111301-000 & 111302-000



24VDC Version 111304-000

