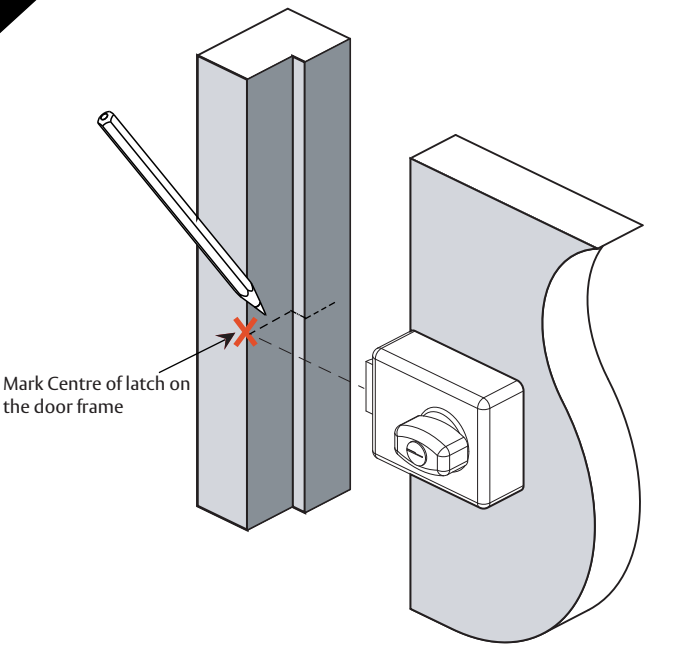


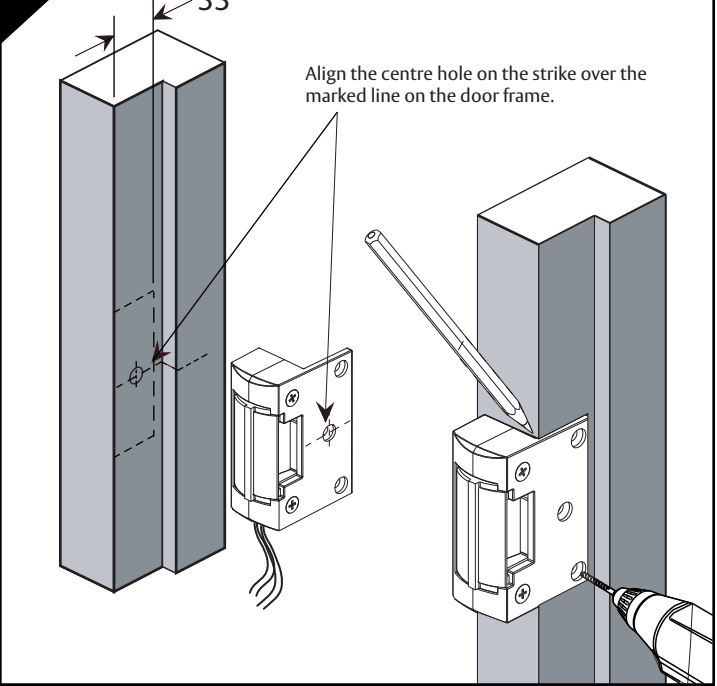
1 MARKING OF STRIKE POSITION



Mark Centre of latch on the door frame

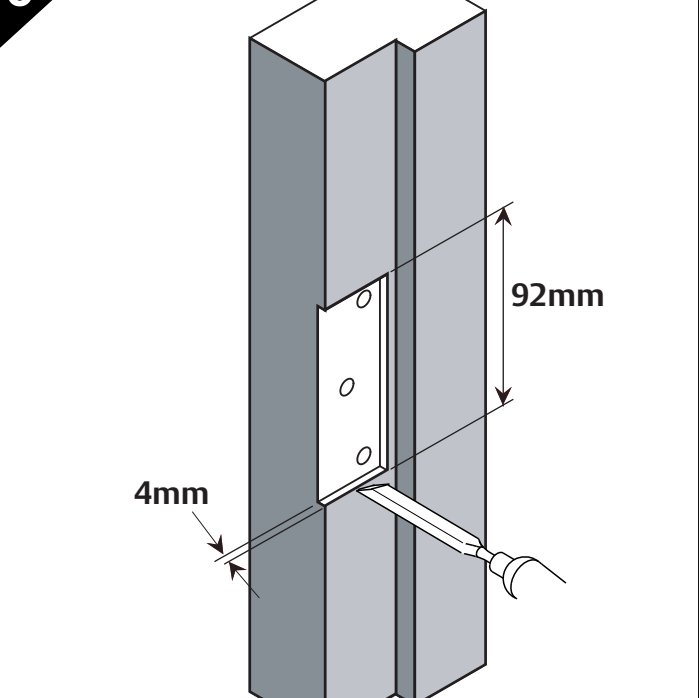
- Ensure any rebate strips or door stops are fitted before proceeding. To enable the Electric strike to be located in the door frame, first mark the position of the Door Latch front face on the door frame with the door in the closed position.
- Mark where centre of latch meets door frame:
 - For new installations, mark frame where front of latch touches the door frame at the midpoint of the latch bolt.
 - For retrofit installations, remove existing strike plate and ensure that latch fits into and is centred in existing hole.

2 POSITIONING OF STRIKE



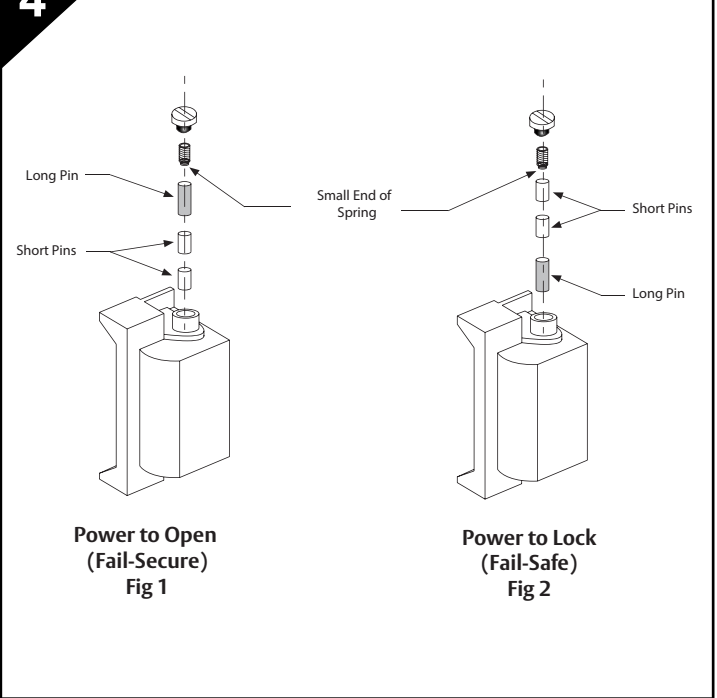
- Centrally locate the strike in the marked position, lining up both the centre hole on the strike and the marked frame. Position the strike hard up against the door frame.
- Hold the strike firmly in place and mark around the edge .
- Making sure the drill is perpendicular to the frame, drill three pilot holes using the strike as a template.

3 MORTISING REBATE



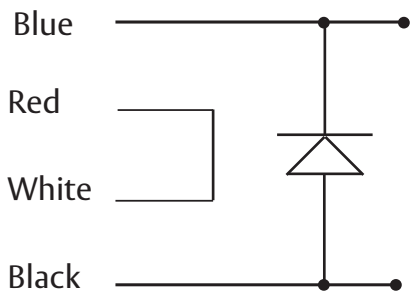
- Using the markout as a guide, neatly chisel out the recess for the strike .

4 CHANGING MODE OF LOCK OPERATION



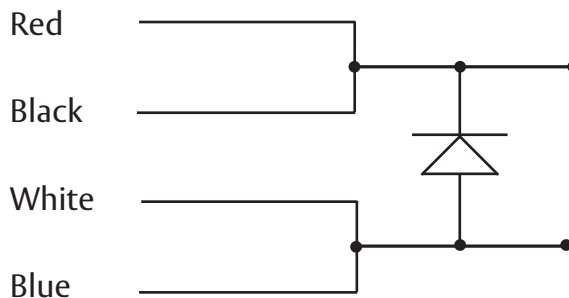
- To change electric strike's mode of lock operation, remove brass screw from top of strike body. Invert strike and carefully release the small spring and 3 locking pins (2 x Short pin, 1 x Long pin). Re-insert pins in the manner shown for the desired mode of lock operation (Power to Open / fail Secure): see Fig. 1; (Power to Lock / fail safe): see Fig. 2, followed by replacing the spring. Screw in the brass screw to strike body. This will secure the spring and locking pins.

24V DC 125mA



Blue and Black to Power Supply.
Red and White joined together.

12V DC 250mA

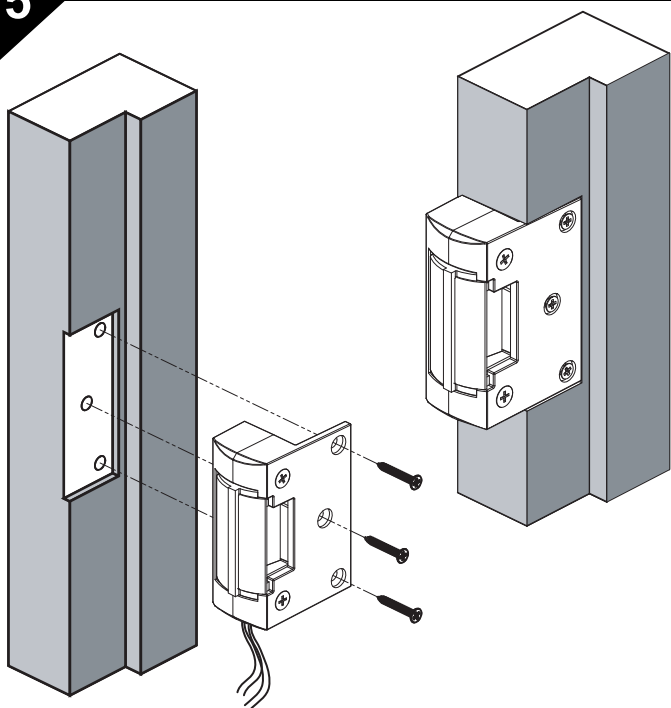


Red and Black joined and to Power Supply.
Blue and White joined and to Power Supply.

CAUTION! - Incorrect supply voltage may cause damage not covered by warranty.
Please check supply voltage with a suitable meter to ensure it is within $\pm 15\%$ of the nominal voltage shown above with the strike powered.
DO NOT OIL OR LUBRICATE

5

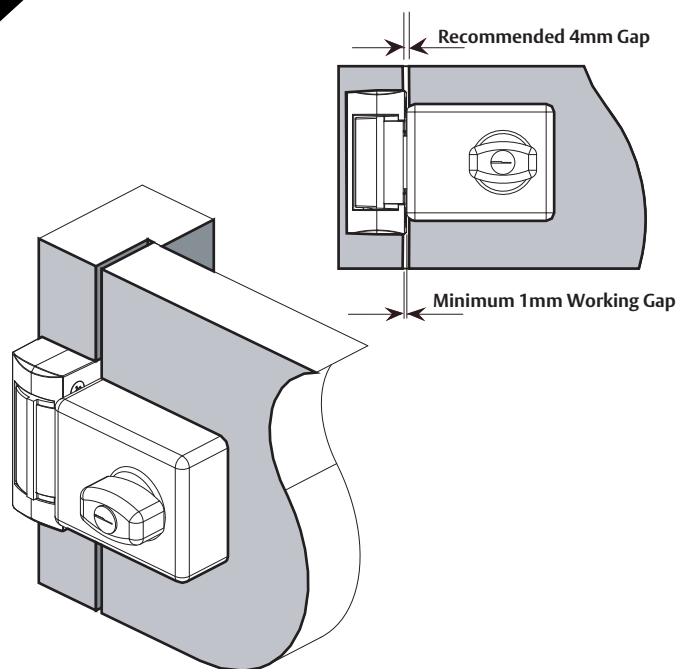
ASSEMBLING STRIKE



- Once door frame preparation is complete, temporarily fit strike into door frame to check for interference. Check that the door closes smoothly and that the latch extends fully past the strike keeper.
- When strike operates correctly with latch, remove strike from mortice and connect wiring.

6

CHECKING FUNCTION



- Refit strike and secure, making sure no wires are being crushed.
- Check both mechanical and electronic operation works correctly.

